



Tel: +44 (0) 1706 869777  
E-mail: [sales@desal.co.uk](mailto:sales@desal.co.uk)  
Web: [www.desal.co.uk](http://www.desal.co.uk)



Data sheet

# APP pumps

## APP 53-78



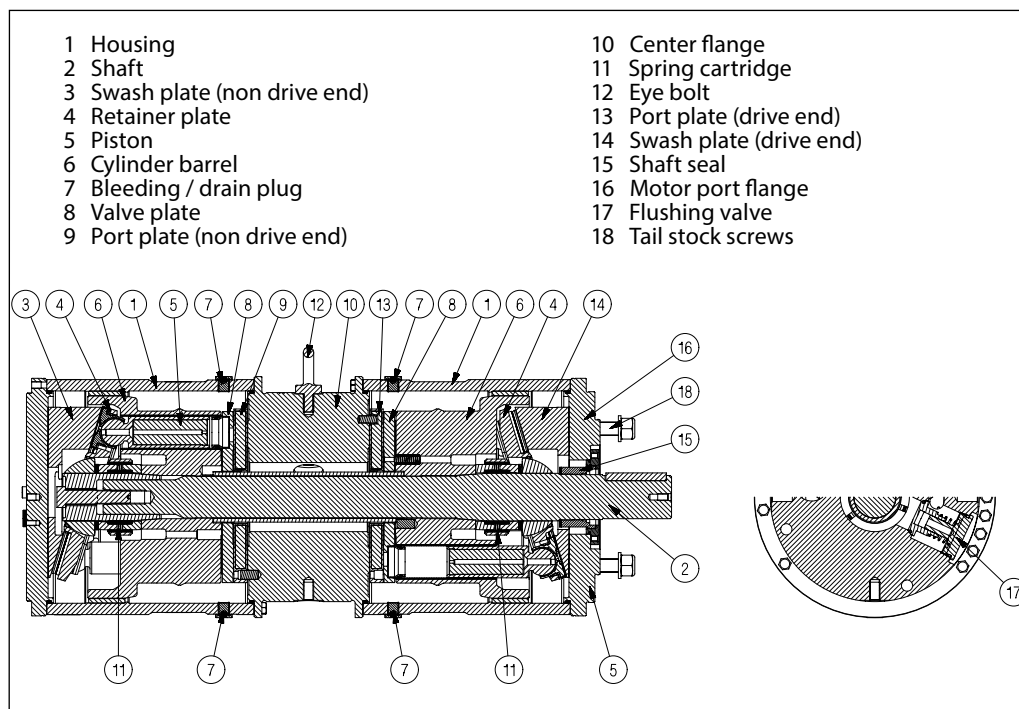
**Table of Contents**

1.	Introduction .....	3
2.	Benefits.....	3
3.	Application examples .....	3
4	Technical data .....	4
4.1	APP 53-78.....	4
5.	Flow at different rpm.....	5
5.1	APP 53-78 flow curves measured at 60 barg (870 psig) .....	5
6.	Flushing valve curves .....	6
6.1	APP 53-78 integrated flushing valve .....	6
7.	Motor requirements.....	7
7.1	Calculation factor for APP 53-78 .....	7
8.	Temperature and corrosion.....	8
9.	Installation.....	8
8.1	Operation.....	8
9.1	Filtration.....	9
9.2	RO system with direct supply: .....	9
10.	Dimensions and connections.....	11
10.1	APP 53-78.....	11
11.	Pump connections.....	14
12.	Accessories .....	15
13.	Service.....	15

1. Introduction

The Danfoss range of APP high-pressure pumps is designed according to EN 809 for use in RO applications with low viscosity and corrosive fluids such as sea water. Danfoss APP pumps are positive displacement pumps with axial pistons that move a fixed amount of water in each cycle. Flow is proportional to the number of input shaft revolutions (rpm).

Unlike centrifugal pumps, they produce the same flow at a given speed no matter what the discharge pressure. The sectional drawing below illustrates the main components of the APP 53-78 pump range.



2. Benefits

- **Zero risk of lubricant contamination:**
  - Oil lubricants are replaced with the pumped medium, water, so there is no contamination risk from the pump.
- **Low maintenance costs:**
  - Efficient design and all-stainless steel construction ensure exceptionally long life. When Danfoss specifications are met, service intervals of 8,000 hours can be expected. Service is easy, and can be carried out on-site due to the simple design and few parts.
- **Low energy costs:**
  - The highly efficient axial piston design provides the lowest energy consumption of any comparable pump on the market.
- **Easy installation:**
  - The most compact and lightest design available.
  - The pump must be installed horizontally
- **High reliability:**
  - All parts are made of high corrosion resistant materials e.g. Duplex (EN1.4462/ UNS S31803/SAF 2205) and Super Duplex (EN1.4410/UNS S32750/ SAF 2207) stainless steel and carbon reinforced PEEK.
- **Certified quality:**
  - Available with material certification on wetted parts.
  - ISO 9001, ISO 14001.
- No pulsation dampeners necessary due to extremely low pressure pulsation.
- Powered directly by electric motors or combustion engines (with special coupling).
- All pumps are supplied with an integrated flushing valve that allows the fluid to flow from inlet to the outlet, when the pump is not running.

3. Application examples

- Danfoss APP pumps are built into a broad range of RO desalination plants around the world:
- Containerized solutions for hotels, resorts and residences on islands and in coastal regions
  - Mobile systems for humanitarian and military organizations
  - Onboard systems for ships and yachts
  - Offshore platforms for the oil and gas industry
  - Municipal and regional waterworks

4 Technical data

4.1 APP 53-78

Pump size		APP 53	APP 78
Code number		180B7801	180B7800
Geometric displacement	cm <sup>3</sup> /rev.	616	888
	in <sup>3</sup> /rev.	37.6	54.2
<b>Pressure</b>			
Max. outlet <sup>1)</sup> pressure (MAWP)	barg	80	80
	psig	1,160	1,160
Min. inlet operating pressure	barg	2	2
	psig	29	29
Max. inlet operating pressure	barg	5	5
	psig	72.5	72.5
Max. inlet pressure peak	barg	10	10
	psig	145	145
Min. outlet pressure	barg	30	30
	psig	435	435
Design pressure	barg	80	80
	psig	1,160	1,160
<b>Speed</b>			
Min. speed continuous	rpm	700	700
Max. speed continuous	rpm	1,500	1,500
<b>Flow - Flow curves available in item 5</b>			
Min. flow	m <sup>3</sup> /h	24	36
	gpm	106	157
700 rpm at max. pressure	m <sup>3</sup> /h	24	36
	gpm	106	157
1000 rpm at max. pressure	m <sup>3</sup> /h	35	52
	gpm	154	228
1200 rpm at max. pressure	m <sup>3</sup> /h	42	62
	gpm	187	275
1500 rpm at max. pressure	m <sup>3</sup> /h	53	78
	gpm	235	345
<b>Efficiency</b>			
1000 rpm <sup>3)</sup>	%	89	89
12 00 rpm <sup>3)</sup>	%	89	90
1500 rpm <sup>3)</sup>	%	89	89
<b>Technical specifications</b>			
Media <sup>2)</sup> temperature	°C	2–50	2–50
	°F	35.6–122	35.6–122
Ambient temperature	°C	2–50	2–50
	°F	35.6–122	35.6–122
Weight	kg	196	196
	lb	431	431
Footprint with IE motor <sup>4)</sup>	m <sup>2</sup>	1.49	1.50
	Foot <sup>2</sup>	16.0	16.1

<sup>1)</sup> For lower and higher pressure, please contact Danfoss.

<sup>2)</sup> Dependent on the NaCl concentration.

<sup>3)</sup> Typical efficiency at max. pressure after a system has been commissioned and run in.

<sup>4)</sup> Maximum area covered with recommended IE3 motor configurations (excl. of space to service pump)

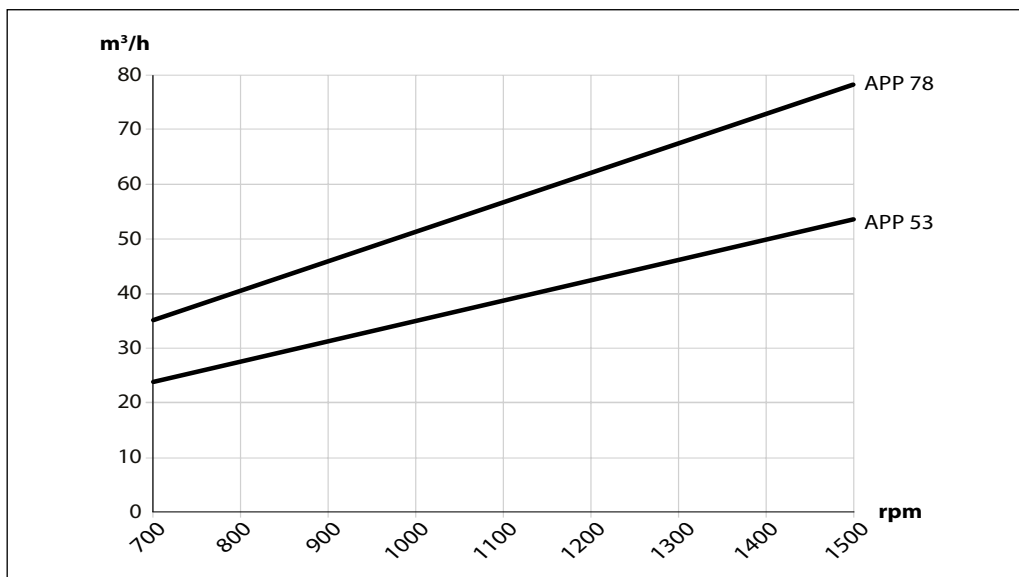
**5. Flow at different rpm**

If the flow required and the rotation speed (rpm) of the pump is known, it is easy to select the pump, fitting the application best, by using the diagram below.

Furthermore, this diagram shows that the flow can be changed by changing the rotation speed of the pump. The flow/rpm ratio is constant, and the "required" flow can be obtained by changing the rotation speed to a corresponding value. Thus, the required rpm can be determined as:

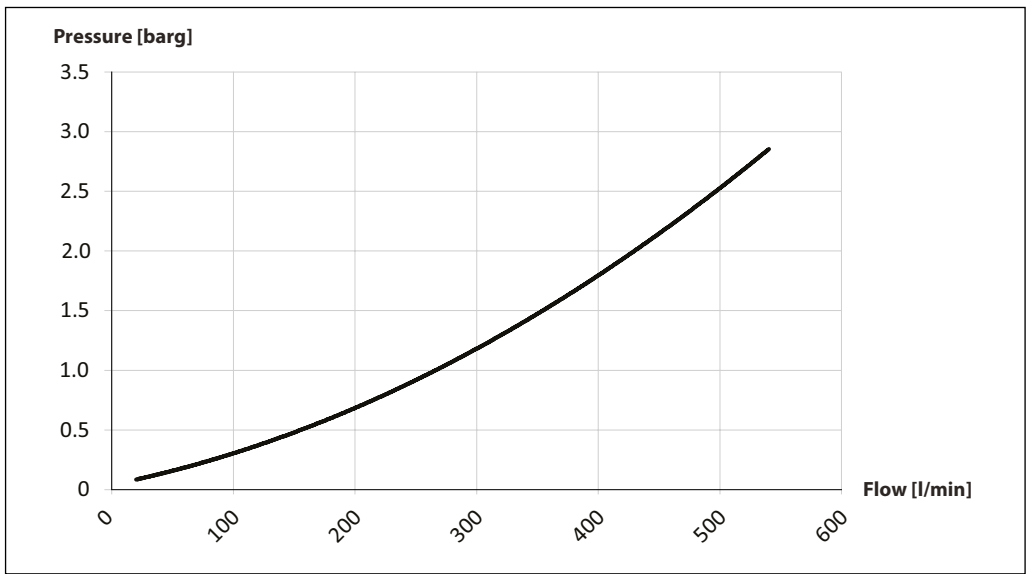
$$\text{Required rpm} = \frac{\text{Required flow} \times \text{Rated rpm}}{\text{Rated flow}}$$

**5.1 APP 53-78 flow curves measured at 60 barg (870 psig)**



6. Flushing valve curves

6.1 APP 53-78 integrated flushing valve



**7. Motor requirements**

The power requirements can be determined using one of the following guiding equations:

$$\text{Required power} = \frac{\text{l/min} \times \text{barg}}{\text{Calc. factor}} \text{ [kW]} \text{ or } \frac{16.7 \times \text{m}^3/\text{h} \times \text{barg}}{\text{Calc. factor}} \text{ [kW]} \text{ or } \frac{0.26 \times \text{gpm} \times \text{psig}}{\text{Calc. factor}}$$

1 hp	=	0.75 kW
1 gpm	=	3.79 l/min
1 m <sup>3</sup> /h	=	4.40 gpm
1 kW	=	1.34 hp
1 l/min	=	0.26 gpm
1 gpm	=	0.23 m <sup>3</sup> /h

**7.1 Calculation factor for APP 53-78**

Name	rpm	Calculation factor
APP 53	1500	530
APP 78	1500	533

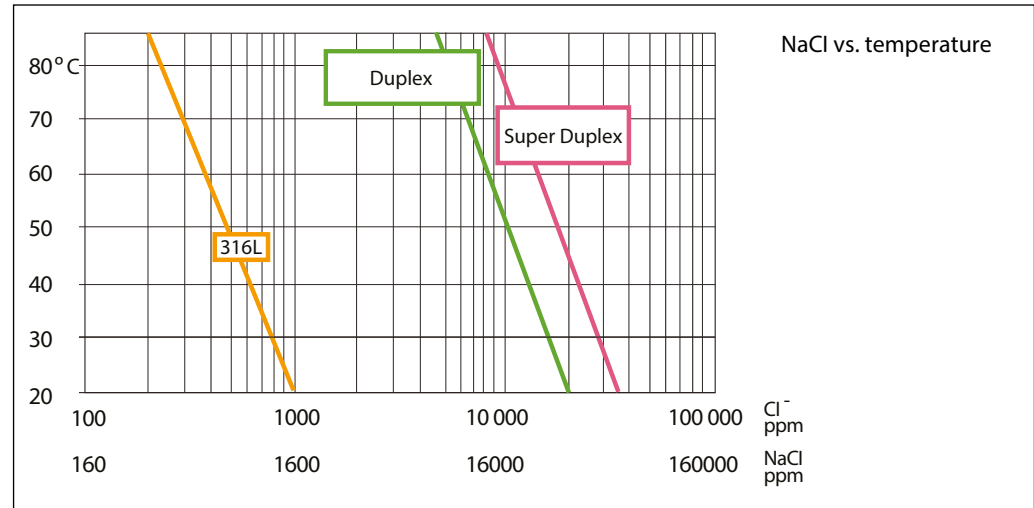
**8. Temperature and corrosion**

**8.1 Operation**

The chart below illustrates the corrosive resistance of different types of stainless steel related to NaCl concentration and temperature.

If the water pump is operated at high salinity always flush the water pump with fresh water at operation stop in order to minimize the risk of crevice corrosion.

All wetted parts of the APP pump are made of Duplex or Super Duplex.

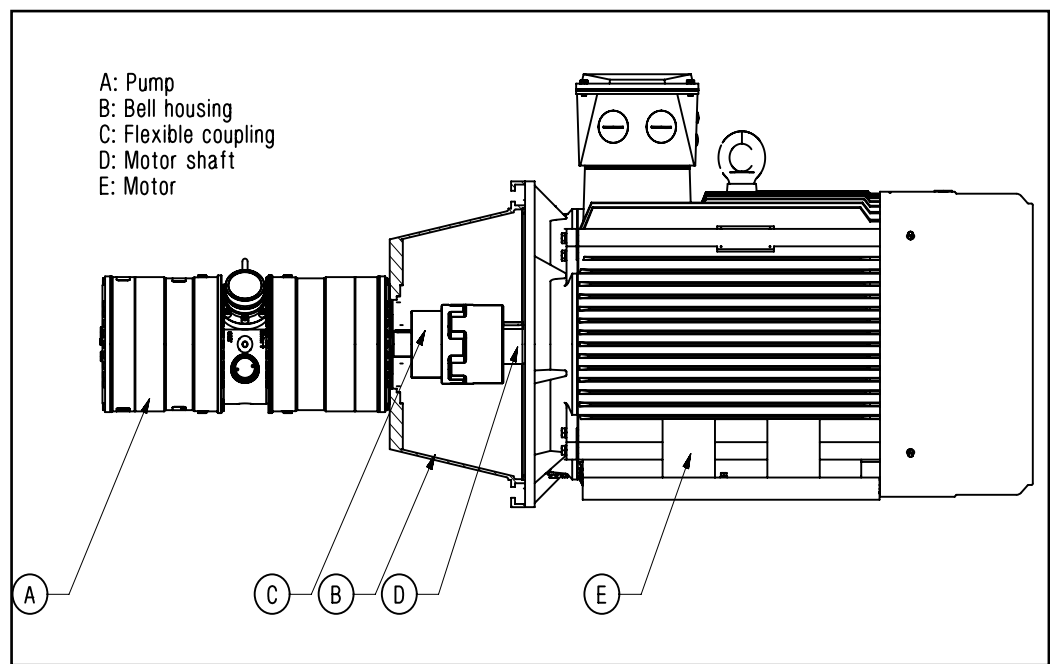


**9. Installation**

See example below on how to mount the pump and connect it to an electric motor or combustion engine (special coupling).

If alternative mounting is required, please contact your Danfoss sales representative for further information.

**Note: Do not add any axial or radial loads to the pump shaft.**





**9.1 Filtration**

**Proper filtration is crucial for the performance, maintenance and warranty of your pump.**

Protect your pump, and the application in which it is installed, by always ensuring that all filtration specifications are met, and by always changing filter cartridges according to schedule.

Since water has very low viscosity, Danfoss APP pumps have been designed with very narrow clearances in order to control internal leakage rates and improve component performance.

**To minimize wear on the pump, it is therefore essential to filter inlet water properly.**

**The main filter must have a filtration efficiency of 99.98% at 10 µm. We strongly recommend that you always use precision depth filter cartridges rated 10µm abs.  $\beta_{10} \geq 5000$ .**

**Please note that we do not recommend bag filters or string-wound filter cartridges, which typically have only 50% filtration efficiency.** This means that out of the 100,000 particles that enter such filters, 50,000 particles pass right through; compare this to precision depth filters that are 99.98% efficient, and only allow 20 of the same 100,000 particles to pass through.

For more information on the importance of proper filtration, including explanation of filtration principles, definitions and guidance on how to select the right filter for your pump, please consult our Filtration information and specifications (Danfoss document number 521B1009).

**Noise**

Since the pump unit is typically mounted on a frame or bell housing the overall noise level can only be determined for a complete system. To minimize vibrations and noise throughout the system, it is therefore very important to mount the pump unit correctly on a frame with anti-vibration-dampeners, and to use flexible hoses rather than metal pipes where possible.

The noise level is influenced by:

- **Pump speed:**  
High rpm generates more fluid/structure borne pulsations/vibrations than low rpm, because of higher frequency.
- **Discharge pressure:**  
High pressure generates more noise than low pressure.
- **Pump mounting:**  
Rigid mounting generates more noise than flexible mounting, because of structure-borne vibrations. Be sure to use dampeners when mounting.
- **Connections to pump:**  
Pipes connected directly to the pump make more noise than flexible hoses, because of structure-borne vibrations.

- **Variable frequency drives (VFD):**  
Motors regulated by VFDs can produce more noise if the VFD does not have the right settings.

**9.2 RO system with direct supply:**

- Inlet line:**
- a) Dimension the inlet line to obtain minimum pressure loss (large flow, minimum pipe length, minimum number of bends/connections, and fittings with low or no pressure losses).

- Inlet filter:**
- b) Install an inlet filter (1) in front of the APP pump (2). Please consult section 9.1, "Filtration" for guidance on how to select the right filter. Thoroughly clean pipes and flush system prior to start-up.

- Inlet pressure:**
- c) In order to eliminate the risk of cavitation and other pump damage, pump inlet pressure must always be maintained according to specifications described in item 4 about technical data.

- Low pressure relief valve:**
- d) Install a low pressure relief valve (9) in order to avoid system or pump damage in case the pump stops momentarily or is spinning backwards.

- Monitoring pressure switch:**
- e) Install a monitoring pressure switch (2) between the filter (1) and the pump inlet. Set the minimum inlet pressure according to specifications described in item 4 about technical data. If the inlet pressure is lower than the minimum pressure set, the monitoring pressure switch must prevent the pump from starting or from running.

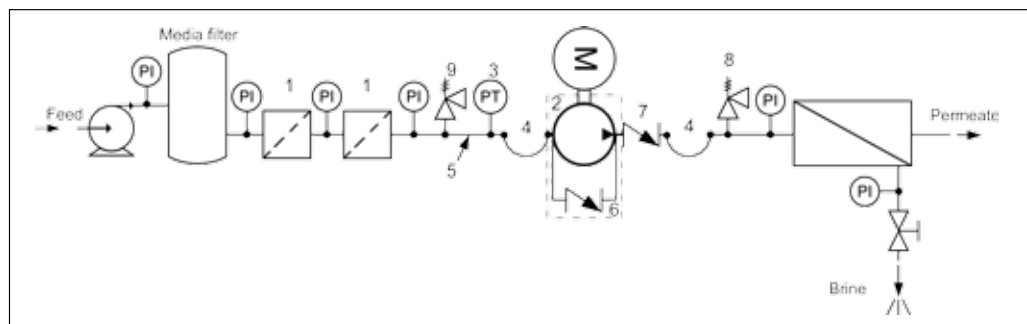
- Hoses:**
- f) Always use flexible hoses (4) to minimize vibrations and noise. Please consult the Danfoss Hoses and hose fittings data sheet (521B0909) for guidance.

- Flushing valve:**
- g) For easy system filling and flushing, an integrated flushing valve (6) is in the APP pump.

- Non-return valve:**
- h) A non-return valve (7) in outlet can be installed in order to avoid backspin of the pump. The volume of water in the membrane vessel works as an accumulator and will send flow backwards in case the pump stops momentarily.

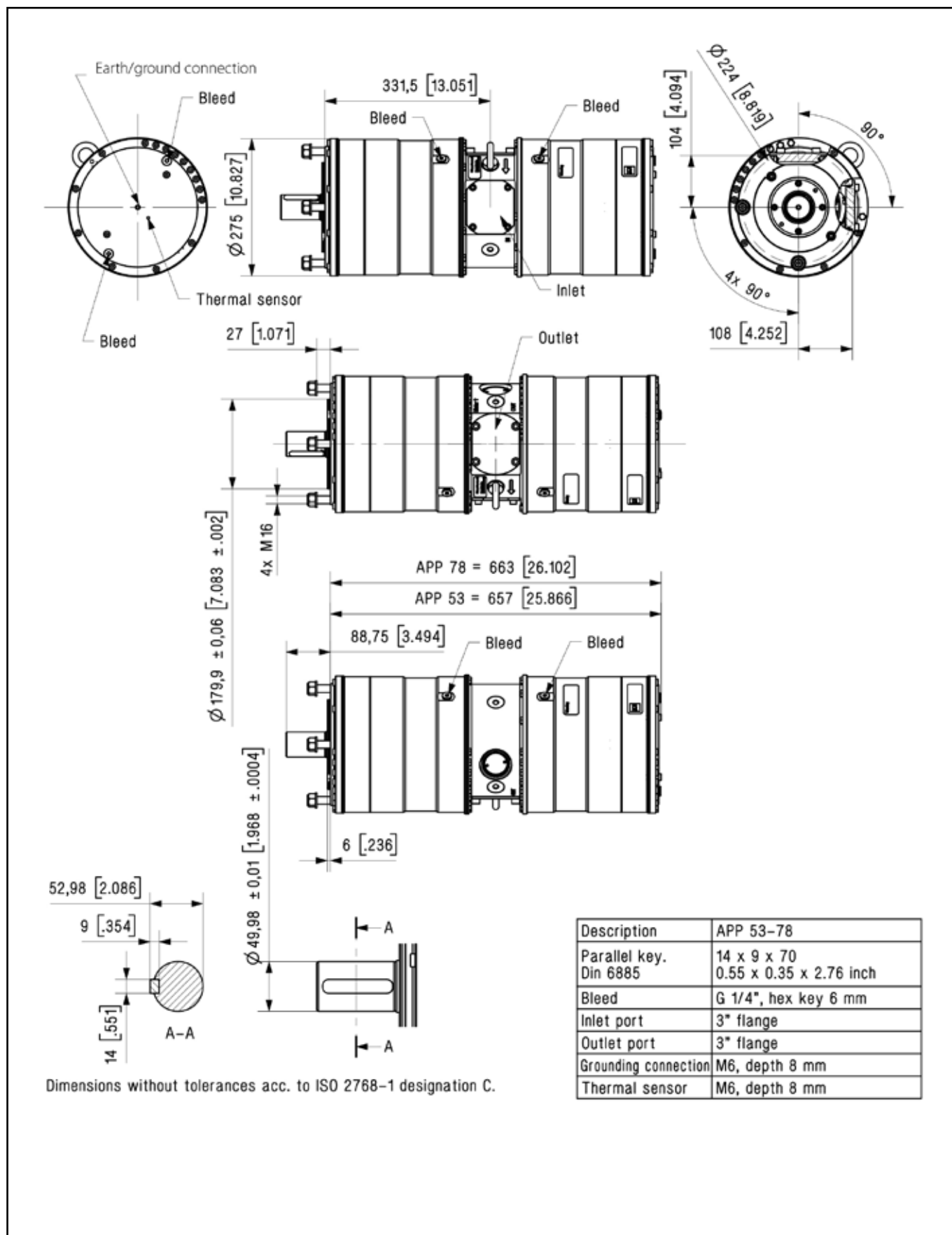
- High pressure safety or relief valve:**
- i) As the Danfoss APP pump begins to create pressure and flow immediately after start-up and regardless of any counter pressure, a safety or pressure relief valve (8) should be installed after the non-return valve to prevent system damage and to avoid high pressure peaks.

**Note:** If a non-return valve is mounted in the inlet line, a low-pressure relief valve is also required between the non-return valve and pump as protection against high-pressure peaks.

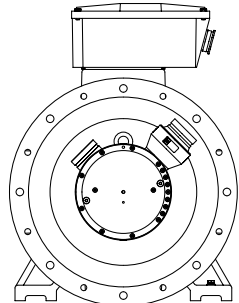


10. Dimensions and connections

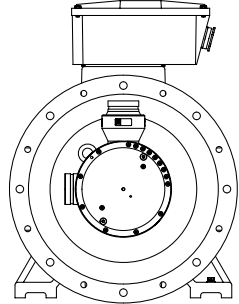
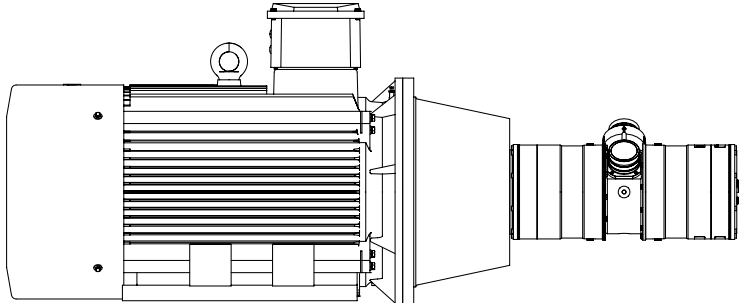
10.1 APP 53-78



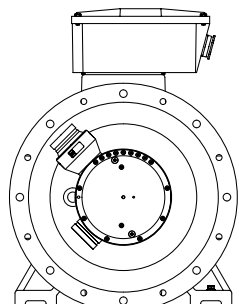
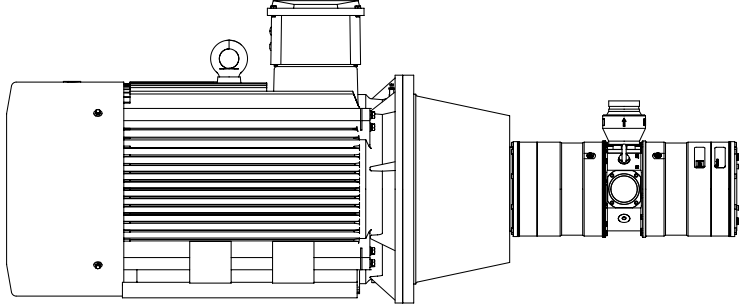
The APP 53-78 connections (inlet and outlet) can be adjusted in intervals of 45 degrees. Please see typical installations in the drawing below.



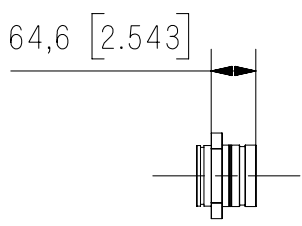
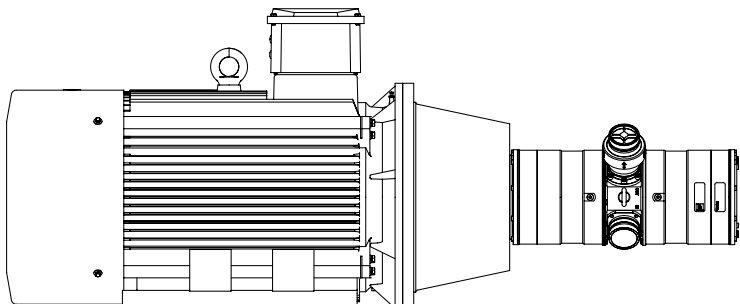
Standard configuration



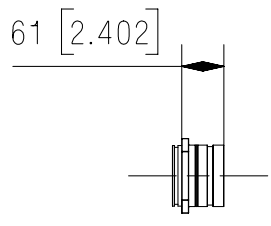
On request from factory or can be adjusted on site (please see Installation, Operation and Maintenance Manual)



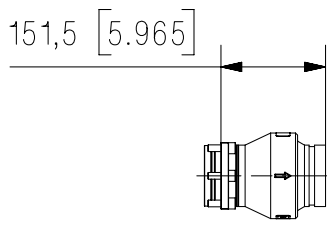
On request from factory or can be adjusted on site (please see Installation, Operation and Maintenance Manual)



HP

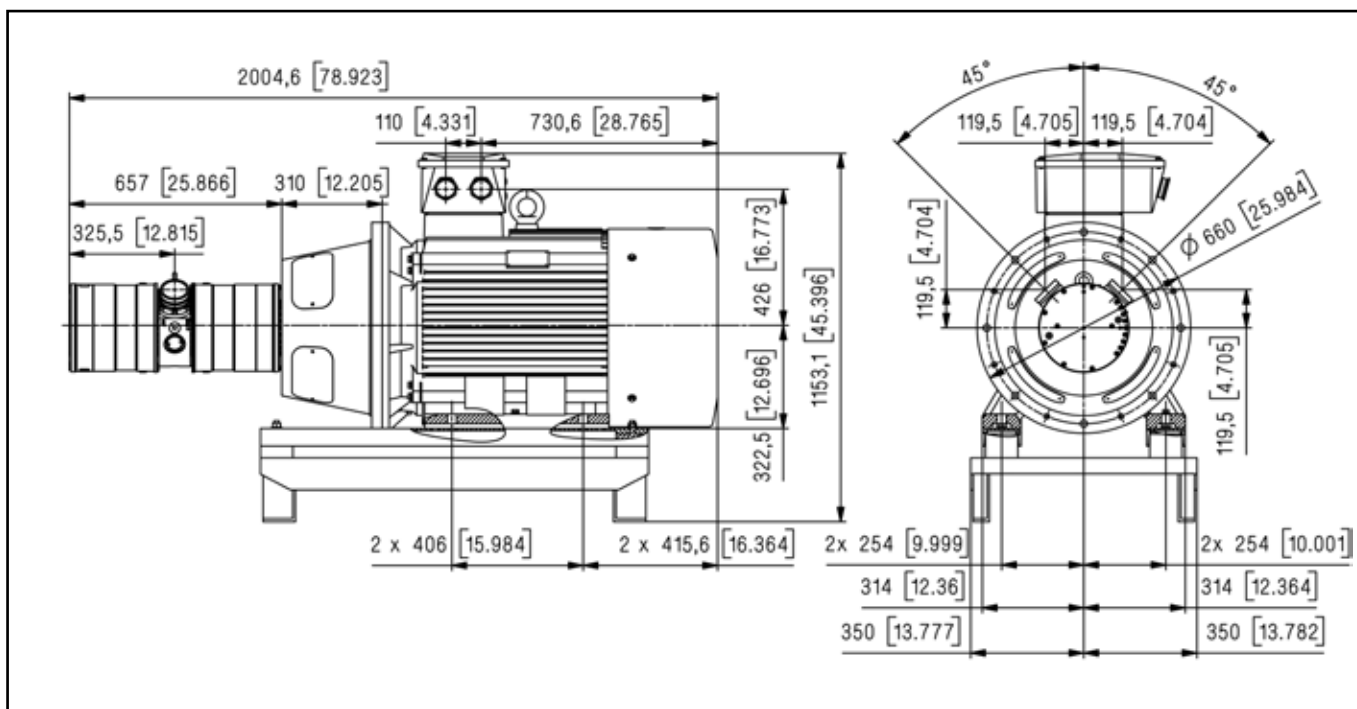


LP

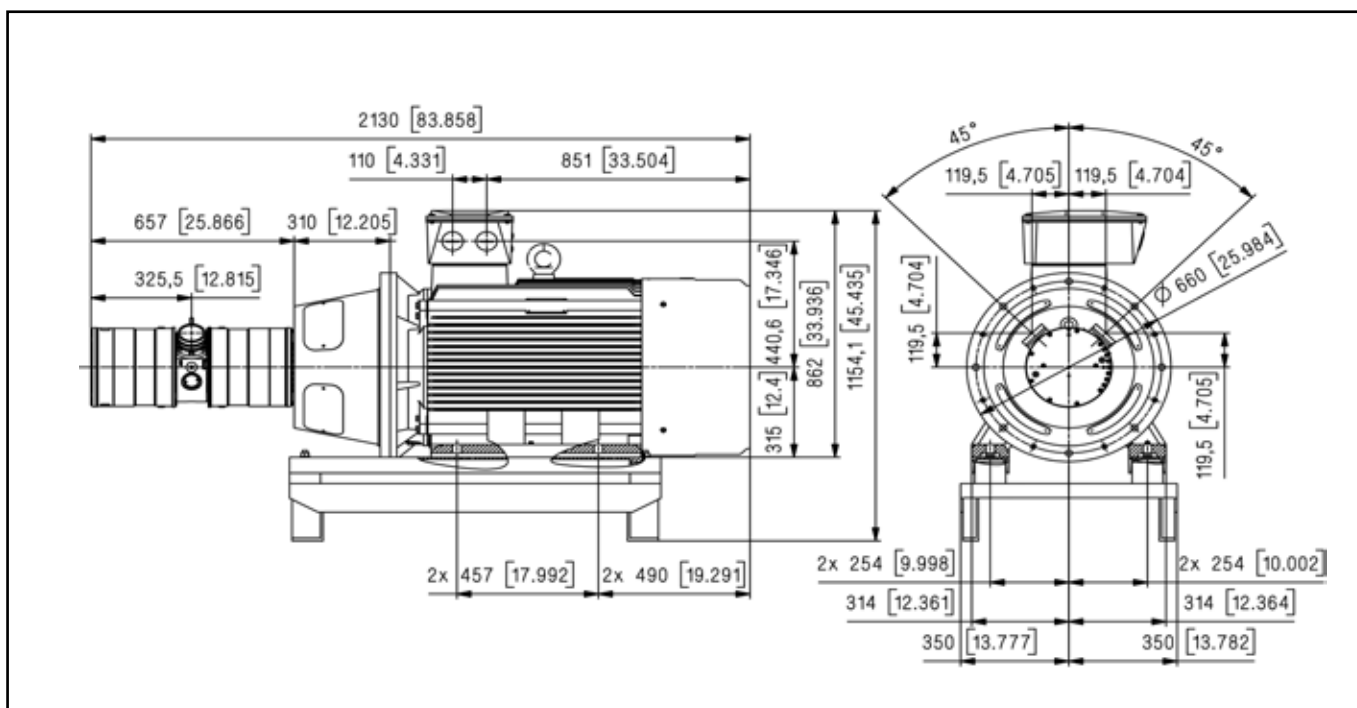


Check valve

10.2 APP 53 - 78 with IEC motor  
110 kW



10.3 APP 53 - 78 with IEC motor  
132 kW





12. Accessories

Accessories	Type	Code number
3" Inlet hose kit - 2 m (79") 6 barg	3" Victaulic	180Z0144
3" Outlet hose - 1 m (39.4") 80 barg	3" Victaulic	180Z0611
Coupling APP 53 - APP 78	Softex 80H7-50H7	180Z0659
Coupling kit APP 53 - APP 78 incl. bell housing	ø660/310	180Z0660
Base frame incl. vibration dampeners	IEC 315	180Z0661

13. Service

**Warranty**

Danfoss APP pumps are designed for long operation, low maintenance and reduced lifecycle costs.

Provided that the pump has been running according to the Danfoss specifications, Danfoss guarantees 8,000 hours service-free operation, however, max. 18 months from date of production.

If Danfoss recommendations concerning system-design are not followed, **it will strongly influence the life of the APP pumps.**

Other factors that affect pump performance and lifetime include:

- Insufficient filtration
- Insufficient bleeding and venting
- Running the pump at speed outside specifications.
- Supplying the pump with water at temperature higher than recommended.
- Running the pump at inlet pressure outside specifications.
- Running the pump at outlet pressure outside the specifications.
- Wrong direction of rotation.

**Maintenance**

After 8,000 hours of operation **it is strongly recommended to inspect the pump and change any worn parts, e.g. pistons and shaft seal.** This is done in order to prevent a potential breakdown of the pump. If the parts are not replaced, more frequent inspection is recommended according to our guidelines.

**Pump shutdown:**

The APP pumps are made of Duplex/Super Duplex materials with excellent corrosion properties. **It is, however, always recommended to flush the pump with freshwater when the system is shut down.**

**Repair**

In case of irregular function of the APP pump, please contact Danfoss High Pressure Pumps.

**Danfoss A/S**  
High Pressure Pumps  
DK-6430 Nordborg  
Denmark

---

Danfoss can accept no responsibility for possible errors in catalogues, brochures and other printed material. Danfoss reserves the right to alter its products without notice. This also applies to products already on order provided that such alterations can be made without subsequential changes being necessary in specifications already agreed. All trademarks in this material are property of the respective companies. Danfoss and the Danfoss logotype are trademarks of Danfoss A/S. All rights reserved.

---