

Member of the ProcessPro® Family of Transmitters



The Signet 3-8630-3P ProcessPro Chlorine Transmitter simultaneously displays free chlorine or chlorine dioxide and pH levels on a bright LCD backlight display.

The 8630 transmitter has two 4 to 20 mA outputs that can be programmed to transmit chlorine or pH information to a data collection device.

Two dry-contact mechanical relays can be used to deliver an alarm signal or activate a chlorine dosing system.

Programming is simple and easy with Signet's standard 4-button keypad. The menu option allows the use of an optional pH sensor to accurately measure pH for display purposes or to calculate free chlorine levels. Select "Manual pH input" and enter the applications stable pH level to determine free chlorine levels.

## Features

- Displays free chlorine 0 to 20 ppm (mg/l), chlorine dioxide 0 to 2 ppm (mg/l)
- Two programmable 4 to 20 mA outputs
- Two mechanical relays
- Temperature and pH compensation
- Displays diagnostic information from sensor memory
- Simple setup and easy customization
- Backlit LCD display



## Applications

### Residual Chlorine Monitoring:

- Water Distribution
- Ground Water
- Surface Water
- HVAC Applications (cooling water)
- Gray Water Dechlorination
- Food and Beverage
- RO Membrane Protection
- Swimming Pools
- Aquariums
- Water Parks

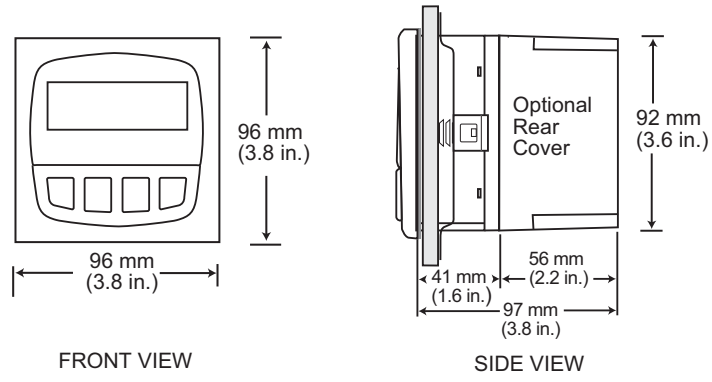





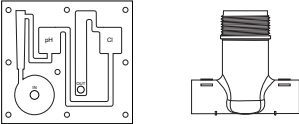
Tel: +44 (0) 1706 869777  
E-mail: [sales@desal.co.uk](mailto:sales@desal.co.uk)  
Web: [www.desal.co.uk](http://www.desal.co.uk)

# Specifications

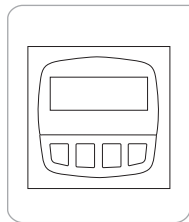
General		
Compatibility	3-2630-1 Free Chlorine Electrode, 0 to 2 ppm / 3-2650-7 Amperometric Electronics	
	3-2630-2 Free Chlorine Electrode, 0 to 5 ppm / 3-2650-7 Amperometric Electronics	
	3-2630-3 Free Chlorine Electrode, 0 to 20 ppm / 3-2650-7 Amperometric Electronics	
	3-2632-1 Chlorine dioxide electrode, 0-to 2 ppm / 3-2650-7 Amperometric Electronics	
	3-2724-00 Flat pH Electrode / 3-2750-7 pH Sensor Electronics	
Display	LCD	Backlit alphanumeric 2 x16 character dot matrix
Materials		
Case	PBT	
Panel Case Gasket	Neoprene	
Window	Polyurethane-coated polycarbonate	
Keypad	Silicone rubber	
Performance		
System Operational Ranges	Free Cl	0 to 20 ppm (mg/l)
	ClO <sub>2</sub>	0 to 2 ppm (mg/l)
	pH Range	4 to 11 pH
Temperature Range	0 °C to 45 °C	32 °F to 113 °F
Max. Cable Distance	Digital (S <sup>3</sup> L)	30 m (100 ft) max.
	4 to 20 mA output	305 m (1,000 ft) max.
Electrical		
Power	12 to 24 VDC ±10%, regulated, 250 mA max. current	
Sensor Power	5 VDC ±1% @ 25 °C, regulated	
Input Specifications	One Digital (S <sup>3</sup> L) input from Amperometric sensor	
	One Digital (S <sup>3</sup> L) input from pH sensor	
Output Specifications	Current Loop (2 loops provided)	
	4 to 20 mA, isolated, adjustable span, reversible with minimum and maximum endpoint adjustment.	
Update Rate	300 ms	
Max Loop Impedance	50 Ω max. @ 12 V	
	325 Ω max. @ 18 V	
	600 Ω max. @ 24 V	
Relay Outputs	2 mechanical SPDT contacts: High, Low, Off Pulse, or Window range	
Maximum Voltage Rating	5 A @ 30 VDC	5 A @ 250 VAC, resistive load
Hysteresis	User adjustable	
Time Delay	Programmable from 0 to 6400 s	
Environmental		
Operating Temperature	-25 °C to 120 °C	-13 °F to 248 °F
Storage Temperature	-15 °C to 80 °C	5 °F to 176 °F
Relative Humidity	0 to 95%, non-condensing	
Max. Altitude	2000 m (6,562 ft)	
Enclosure	NEMA 4X/IP65 (front face only)	
Shipping Weight		
	0.5 kg	1.10 lb
Standards and Approvals		
	CE, FCC, UL, CUL	
	RoHS compliant, China RoHS	
	Manufactured under ISO 9001 for Quality and ISO 14001 for Environmental Management and OHSAS 18001 for Occupational Health and Safety	

# Dimensions



System Overview	<b>Panel Mount</b>	
	<b>Signet 8630-3P Chlorine Transmitter</b> 	
	Signet Amperometric Electronics 2650-7 	
	Signet Electrode 2630-1 2630-2 2630-3 2632-1 	All sold separately
Signet Flow Cell Signet Fitting 3610 		

## Ordering Information



Mfr. Part No.	Code	Description
3-8630-3P	<b>159 001 673</b>	Panel mount chlorine and pH transmitter

## Accessories and Replacement Parts

Mfr. Part No.	Code	Description
<b>Mounting</b>		
3-8050.395	<b>159 000 186</b>	Splashproof rear cover (panel mount only)
3-0000.596	<b>159 000 641</b>	Heavy duty wall mount bracket (panel mount only)
3-5000.598	<b>198 840 225</b>	Surface mount bracket (panel mount only)
<b>Liquid Tight Connectors</b>		
3-9000.392	<b>159 000 368</b>	Liquid tight connector kit for rear cover (3 connectors)
3-9000.392-1	<b>159 000 839</b>	Liquid tight connector kit, NPT (1 connector)
3-9000.392-2	<b>159 000 841</b>	Liquid tight connector kit, PG 13.5 (1 connector)
<b>Other</b>		
3-8050.396	<b>159 000 617</b>	RC filter kit (for relay use), 2 per kit