

# Signet 3-0250 USB to Digital (S<sup>3</sup>L) Configuration/Diagnostic Tool



The new 3-0250 USB to (S<sup>3</sup>L) Configuration/Diagnostic Tool interfaces with Signet's various digital sensors to allow users to select all parameters available for modification, monitor the sensor's data on a PC/Laptop, or log the sensor's data to a file. Multi-language software in English, German, French, Italian, Portuguese and Spanish.

## Features

- User-friendly interface
- Configure blind sensors
- Configure all modifiable parameters in the sensor
- Monitor sensor data or log sensors data to a file
- Monitor mV and temperature reading in pH/ORP sensors
- Graph sensor data
- Red and blue LED indicators for power and data transmission
- 2 m (6 ft) USB extension cable



## Compatibility

- 2250 Hydrostatic Level Sensor
- 2350 Temperature Sensor
- 2450 Pressure Sensor
- 2750 DryLoc<sup>®</sup> pH/ORP Sensor Electronics
- 2551 Magmeter Flow Sensor
- 2552 Metal Magmeter Flow Sensor

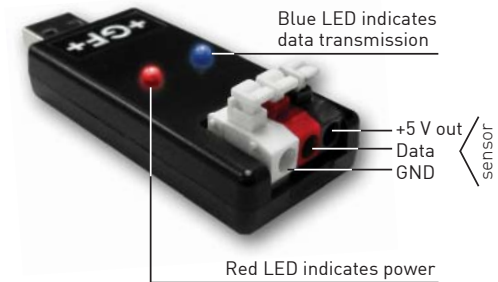
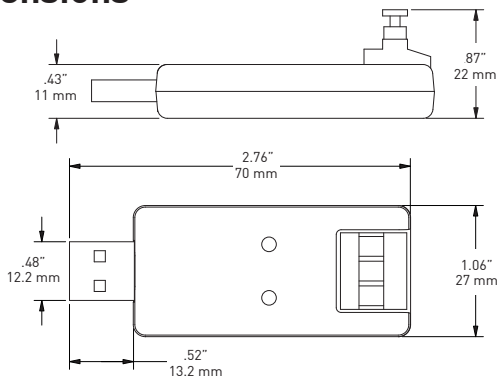


Tel: +44 (0) 1706 869777  
E-mail: [sales@desal.co.uk](mailto:sales@desal.co.uk)  
Web: [www.desal.co.uk](http://www.desal.co.uk)

# Specifications

General		
Materials	ABS body	
Power Requirements	Supplied by USB port on PC/Laptop	
Inputs	3-wire (S <sup>3</sup> L) input	
Output Specifications	USB 1.0, 2.0	
Shipping Weights		
	0.22 kg	0.48 lb
Standards and Approvals		
	CE, FCC	
	RoHS compliant, China RoHS	

## Dimensions



\* for wiring reference please see manual

## System Overview

### Modifiable Parameters

2250, 2350, 2450, 2750:

- Modify 4 mA and 20 mA Set Points
- Select units and Specific Gravity (2250 only) for improved accuracy and to eliminate the need for additional calculations.

2551 and 2552:

- Unit Selection
- 4 mA and 20 mA Set Points
- Low-Flow Cut-Off
- Quick Response Sensitivity
- Averaging Time
- Noise Rejection Frequency

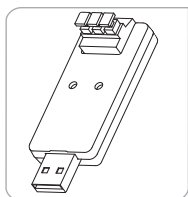
### Control Functionality

- Read the parameters from the sensor and display on the screen
- Write new settings on the screen to the sensor
- Load a previously saved configuration
- Save new settings to a file
- Restore parameters to Factory Settings

### Graphing Functionality

- Monitor sensor data on screen.
- Log sensor data to a file
- Start, Stop, and Resume monitoring/logging.
- Set Monitor/Logging Time in seconds: 1 to 86400 (24 hours)
- Primary values such as Level, Temperature, pH, ORP, Flow Rate/Velocity, are displayed/logged
- Additional values such as Temperature and mV for pH are also displayed. The mV reading can allow users to monitor the life of a pH/ORP electrode

## Ordering Information



Mfr. Part No.	Code	Description
3-0250	159 001 538	USB (S <sup>3</sup> L) Configuration/Diagnostic Tool

3-0250.099 Rev C (04/13)

© Georg Fischer Signet LLC

3401 Aero Jet Avenue, El Monte, CA 91731-2882 U.S.A. • Tel. (626) 571-2770 • Fax (626) 573-2057 • www.gfsignet.com • e-mail: signet.ps@georgfischer.com  
 Specifications subject to change without notice. All rights reserved. All corporate names and trademarks stated herein are the property of their respective companies.