



The new 0251 PC COMM Configuration Tool interfaces with the Signet 9900 Transmitter allowing users to set, review, save and load all modifiable parameters.

## Features

- User-friendly interface
- Configure settings such as instrument type, units and modify labels from the computer
- Back up and restore 9900 Transmitter configurations to a computer file
- Use a single file to clone multiple 9900 Transmitters
- Red and blue LED indicators for data and power
- 2 m (6 ft) USB extension cable
- 1 m (3 ft) 9900 interface cable



## Compatibility

- 9900 Transmitter
- Windows XP, 32-bit
- Windows Vista®
- Windows 7 (32 and 64-bit versions)

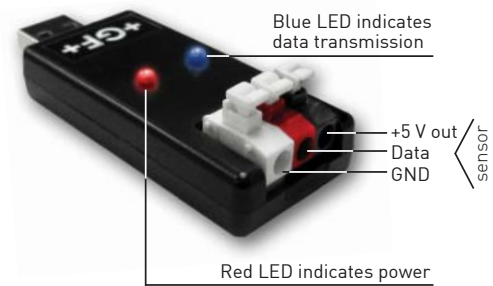
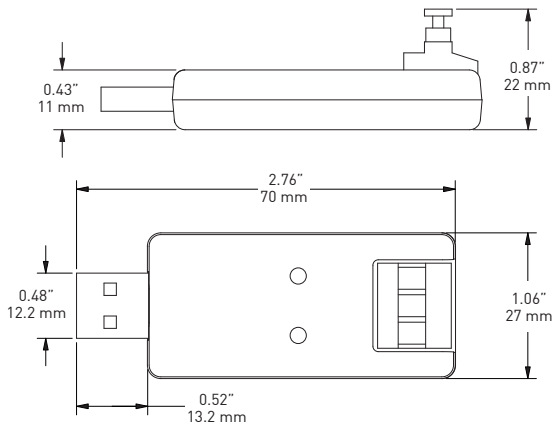


Tel: +44 (0) 1706 869777  
E-mail: [sales@desal.co.uk](mailto:sales@desal.co.uk)  
Web: [www.desal.co.uk](http://www.desal.co.uk)

# Specifications

General		
Materials	ABS body	
Power Requirements	0251 is powered by USB port on computer	
System Requirements	Windows XP, Windows Vista, Windows 7 (32 and 64 bit), free USB port, administrator account for installation	
Inputs	3-wire (S <sup>3</sup> L) input	
Output Specifications	USB 1.0 or greater	
Shipping Weight		
	0.220 kg	0.48 lb
Standards and Approvals		
	CE, FCC	
	RoHS compliant, China RoHS	

## Dimensions



\* for wiring reference please see manual

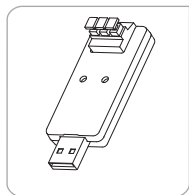
## System Overview

### Modifiable Parameters

- Instrument type
- Units of measure
- Customer configurable tag (label)
- 4 to 20 mA span
- 4 to 20 mA error value
- Relay and open collector modes
- Bar graph span
- Back light control
- LCD contrast
- Password
- and other instrument specific settings

- Modes (dependent on Instrument type)
  - Low set point
  - High set point
  - Window In
  - Window Out
  - PWM
  - Proportional Pulse
  - Cycle Low
  - Cycle High
  - Volumetric Pulse
  - Totalizer
  - Error

## Ordering Information



Mfr. Part No.	Code	Description
3-0251	159 001 724	PC COMM configuration tool

## Accessories and Replacement Parts

Mfr. Part No	Code	Description
6682-3004	159 001 725	Terminal block plug

3-0251.099 Rev B (04/13)

© Georg Fischer Signet LLC

3401 Aero Jet Avenue, El Monte, CA 91731-2882 U.S.A. • Tel. (626) 571-2770 • Fax (626) 573-2057 • www.gfsignet.com • e-mail: signet.ps@georgfischer.com  
 Specifications subject to change without notice. All rights reserved. All corporate names and trademarks stated herein are the property of their respective companies.