



Signet 8059 External Relay Modules supplement the output capabilities of certain host instruments such as the Signet Multi-Parameter Controllers. AC-powered versions accept universal line voltage, and also provide 24 VDC output that can be used to power the host instrument or other device(s).

The host instrument controls relay operation by way of a single digital (S³L) connection. The compact plastic housing is DIN rail mountable and includes LED annunciators for each relay, plus one each for power- and data transfer or test mode.

Features

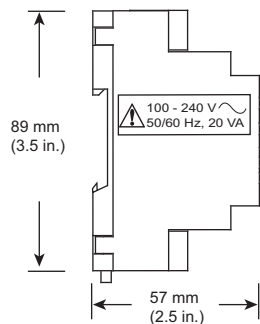
- External relays controlled by host instrument
- AC and DC powered versions
- DC power output (AC versions)
- DC power pass-through (DC versions) to simplify wiring
- Digital (S³L) pass-through to simplify sensor wiring
- Red LED annunciators for each relay
- Green LED indicators for power and digital (S³L) data transfer
- Relay can be tested locally, and also via the host instrument



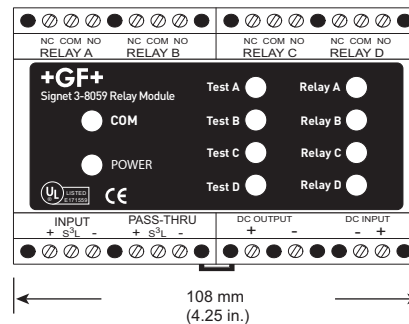
Specifications

General		
Input	Digital (S ³ L) via host instrument	
Type	DIN rail mountable	
Terminals	Standard screw-type	
Material		
Enclosure	Noryl® UL 94 V-0	
Electrical		
Power Requirements		
	8059-4 AC	100-240 VAC ±10% regulated, 50/60 Hz, 20 VA
	8059-4	12 to 24 VDC ±10% regulated
DC Output		
	8059-4 AC	24 VDC regulated, 300 mA
Isolation	> 5,000 Vrms	
Relays		
	Type	SPDT 250 VAC/30 VDC/5 A
	Resolution	2 ms (in pulse mode)
	Response Time	< 100 ms
	Annunciators	Red LED, 1 per relay
Environmental		
Operating Temperature	-10 °C to 55 °C	14 °F to 131 °F
Storage Temperature	-20 °C to 85 °C	-4 °F to 185 °F
Relative Humidity	0 to 90% (non-condensing)	
Maximum Altitude	2,000 m (6,561 ft)	
Shipping Weight		
	0.37 kg	0.8 lb
Standards and Approvals		
	CE, FCC, UL listed, CUL	
	China RoHS	
	Manufactured under ISO 9001 for Quality and ISO 14001 for Environmental Management and OHSAS 18001 for Occupational Health and Safety	

Dimensions



Side View



Face View (3-8059-4 shown)

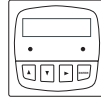
System Overview

Signet 8059 External Relay Module



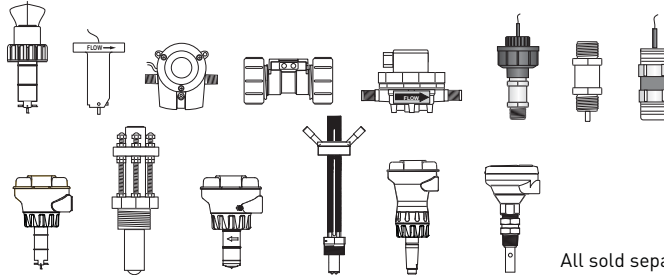
Panel Mount

Signet 8900 Multi-Parameter Controller



Signet Sensors - digital (S³L) or frequency

515	525	2000	2100	2250	2350	2450	2507
2536	2537	2540	2551	2552	2750	2850	



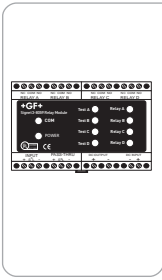
All sold separately

Ordering Notes

- 1) Use an RC filter kit to protect relays from voltage spikes.
- 2) DIN railing and clips are available for mounting a relay module.
- 3) The -AC version will supply enough voltage to power the 8900 when using the 12-24 VDC power module.

Please refer to **Wiring, Installation, and Accessories** sections for more information.

Ordering Information



Mfr. Part No.	Code	Power Input and Output Options
External Relay Module		
4 Relay module		
3-8059-4	159 000 772	12 to 24 VDC $\pm 10\%$ regulated with pass-through DC output (minus 0.7 volts)
3-8059-4AC	159 000 773	100 to 240 VAC with 24 VDC output $\pm 10\%$ regulated

Accessories and Replacement Parts

Mfr. Part No.	Code	Description
3-8050.396	159 000 617	RC filter kit for relay use (2 per kit)
6205-0002	159 000 858	DIN rail, 1-meter
6205-0003	159 000 859	End clip, DIN rail