

Parts list

# Energy recovery device

iSave 50 - 70



**Table of Contents**

Contents

1.	General.....	2
2.	Parts list iSave 50-70.....	3
3.	Exploded view iSave 50-70 .....	5
4.	Assembly unit iSave 50-70 Vertical mounting.....	6
5.	Assembly unit drawing iSave 50-70 Vertical mounting.....	7
6.	Assembly unit iSave 50-70 Horizontal mounting.....	8
7.	Assembly unit drawing iSave 50-70 Horizontal mounting.....	9
8.	Tool set iSave 50-70.....	10

**1. General**



The parts list provides an overview of the content of the various service kits for the iSave 50-70 as well as exploded view of the iSave.

Parts list | Energy recovery device iSave 50-70

2. Parts list  
iSave 50-70

Pos.	Qty.	Description	Material	180F4133 Shaft Seal Kit iSave 50-70	180F4132 Screw and Seal Kit iSave 50-70	180F4134 Coupling Kit iSave 50-70	180F4135 Port Plate Kit PE iSave 50	180F4136 Port Plate Kit PE iSave 70	180F4137 Vane Kit iSave 50-70	180F4138 Valve Plate Kit PE iSave 50-70	180F4139 Rotor/side plate Kit iSave 50-70
1	4	Screw M8	AISI 316	X	X						
2	1	Cover	Super Duplex								
3	1	O-ring	NBR	X	X						
4	1	Shaft seal Ø35	NBR/hasteloy	X							
5	15	Screw M12	AISI 316		X						
6	2	Bleeding plug G1/4"	Super Duplex								
7	2	O-ring	NBR		X						
8	1	Ass. Motor flange	Super Duplex/PEEK								
10	2	O-ring	NBR		X						
11	2	Rotor stop mached	PEEK								X
12	2	O-ring	NBR		X						
13	2	Side plate	PEEK/Super Duplex								X
14	2	O-ring	NBR		X						
15	2	Rotor element	Super Duplex								X
16	2	O-ring	NBR		X						
17	1	Rotor	Super Duplex								
18	8	Vane	PEEK/Super Duplex						X		
19	8	Pin	PEEK						X		
20	1	Key	AISI 316		X						
21	1	Stator	Super Duplex								
22	4	Pin	AISI 316		X						
23	1	O-ring	NBR		X						
24	1	3" Vic. Connector, HP Out	Super Duplex								
25	8	Screw M8	AISI 316		X						
26	1	Intermediate flange	Super Duplex/PEEK								
27	15	Screw M12	AISI 316		X						
28	1	O-ring	NBR		X						
29	1	3" Vic. Connector, LP In	Super Duplex								
30	1	Eye bolt M12	Steel, zinc plated								
31	4	Screw M8	AISI 316		X						
101	2	O-ring	NBR		X						
102	4	Clips for retainer plate	PEEK		X						
103	4	Pin	Duplex		X						
104	1	Port plate (Feed)	PEEK/Super Duplex				X	X			
105	2	Valve plate	Super Duplex							X	
106	16	Back-up ring	PTFE		X						
107	16	O-ring	NBR		X						

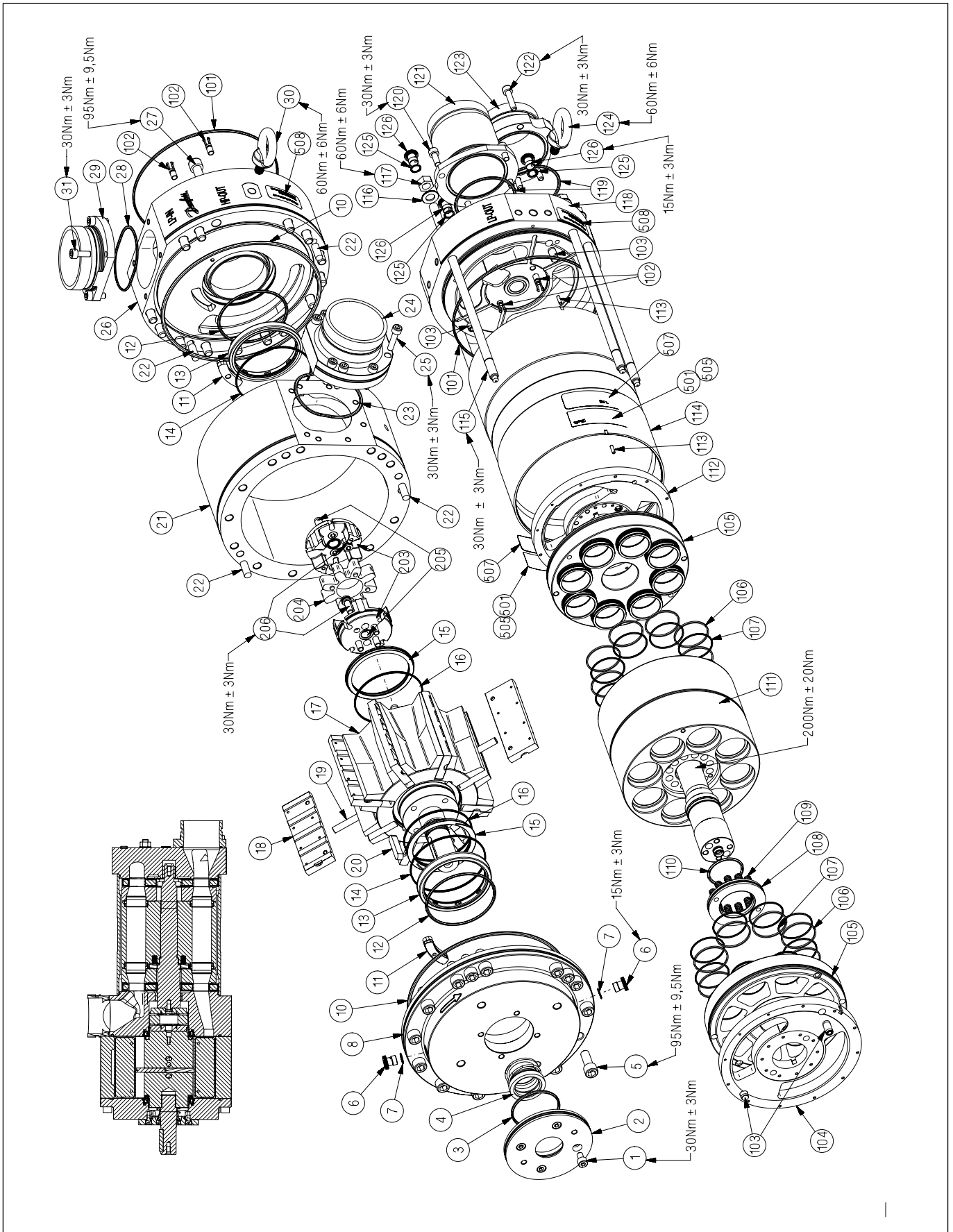
Note: Danfoss recommends always to use seals and screw kit for inspection and repair.

**2. Parts list cont.  
iSave 50-70**

Pos.	Qty.	Description	Material	180F4133 Shaft Seal Kit iSave 50-70	180F4132 Screw and Seal Kit iSave 50-70	180F4134 Coupling Kit iSave 50-70	180F4135 Port Plate Kit PE iSave 50	180F4136 Port Plate Kit PE iSave 70	180F4137 Vane Kit iSave 50-70	180F4138 Valve Plate Kit PE iSave 50-70	180F4139 Rotor/side plate Kit iSave 50-70
108	1	Spring stop	Super Duplex								
109	12	Compression spring	Hastelloy C276							X	
110	1	O-ring	NBR		X						
111	1	Cylinder barrel	Super Duplex								
112	1	Port plate (Brine)	PEEK/Super Duplex				X	X			
113	2	Pin	AISI 316		X						
114	1	Housing	Duplex								
115	6	Stud bolt M12	Duplex								
116	6	Washer M12	AISI 316		X						
117	6	Nut	AISI 316		X						
118	1	Portflange	Super Duplex								
119	2	O-ring	NBR		X						
120	4	Screw M8	AISI 316		X						
121	1	3" Vic. connector LP Out	Super Duplex								
122	6	Screw M8	AISI 316		X						
123	1	3" Vic. connector HP IN	Super Duplex								
124	1	Eye bolt M12	Steel, zinc plated								
125	3	O-ring	NBR		X						
126	3	Bleeding plug G1/4"	Super Duplex		X						
203	2	Coupling	Super Duplex			X					
204	1	Softex 38/45	Hytrel			X					
205	4	Pin	Duplex			X					
206	8	Screw M8	Super Duplex			X					
	1	Service instruction		X	X	X	X	X	X	X	X

Note: Danfoss recommends always to use seals and screw kit for inspection and repair.

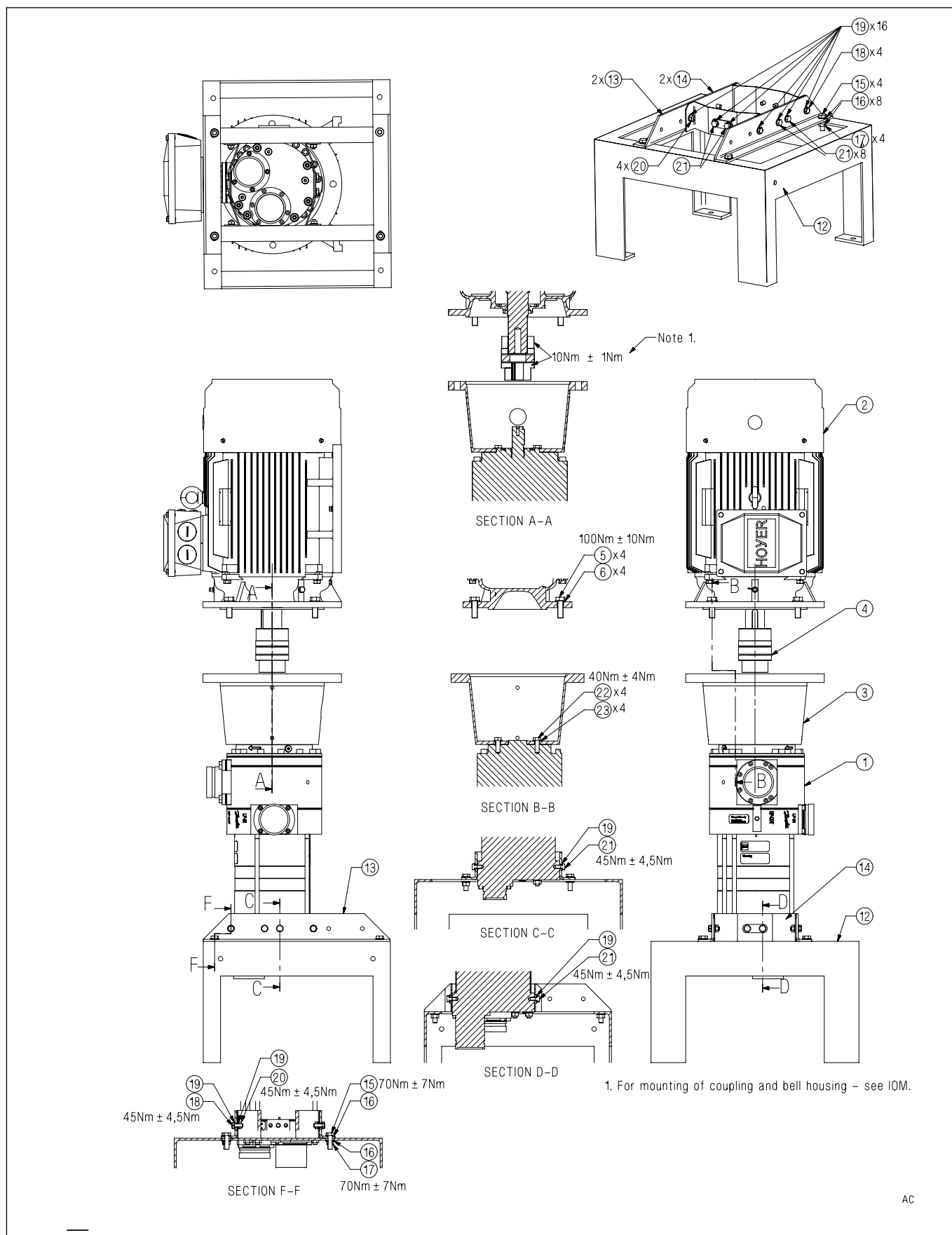
3. Exploded view  
iSave 50-70



4. Assembly unit  
 iSave 50-70  
 Vertical mounting

iSave 50-70 Assembly Unit - Vertical mounting			IEC	NEMA
Pos.	Qty.	Description	Code No.	Code No.
		iSave 50, Vertical, IEC200L, 18.5 kW	180F7022	
		iSave 50, Vertical, NEMA324/6T, 30HP		180U0004
		iSave 70, Vertical, IEC200L, 18.5 kW	180F7024	
		iSave 70, Vertical, NEMA324/6T, 30HP		180U0006
<b>iSave 50-70 without motor</b>				
1	1	iSave 50	180F7020	
1	1	iSave 70	180F7021	
<b>Motor</b>				
2	1	Motor 18.5 kW IEC200 6-pole 3x400 V IE3	180Z0530	
2	1	Motor 324TC 30 HP 3PH 1200 230/460/380		180U2370
5	4	Screw (not included in kit)		
6	4	Washer (not included in kit)		
<b>iSave 50 - 70 coupling kit</b>			<b>180Z4003</b>	<b>180U2309</b>
3	1	Bell housing	X	X
4	1	Coupling	X	X
22	4	Screw M12	X	X
23	4	Washer M12	X	X
24	1	Grommet sealing	X	X
<b>Base frame horizontal</b>			<b>180Z4004</b>	
12	1	Base frame	X	X
13	2	Bracket, long	X	X
14	2	Bracket, short	X	X
15	4	Screw M12	X	X
16	8	Washer M12	X	X
17	4	Nut M12	X	X
18	4	Screw M10	X	X
19	16	Washer Ø10.5	X	X
20	4	Nut M10	X	X
21	8	Screw M10	X	X

5. Assembly unit drawing  
iSave 50-70  
Vertical mounting

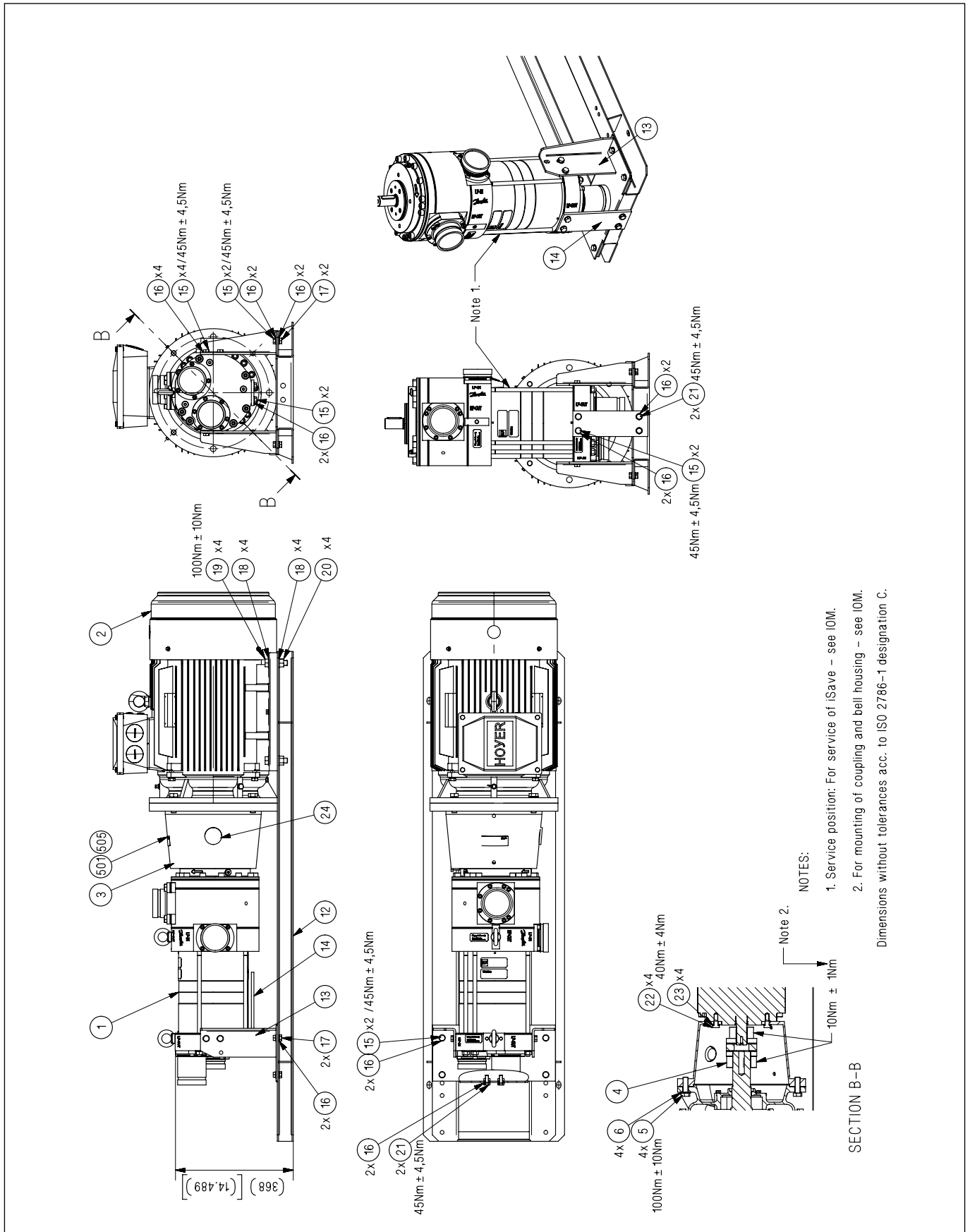


**6. Assembly unit  
iSave 50-70  
Horizontal mounting**

<b>iSave 50-70 Assembly Unit - Horizontal mounting</b>			<b>IEC</b>	<b>NEMA</b>
<b>Pos.</b>	<b>Qty.</b>	<b>Description</b>	<b>Code No.</b>	<b>Code No.</b>
		iSave 50, Horizontak, IEC200L, 18.5 kW	180F7023	
		iSave 50, Horizontal, NEMA324/6T, 30HP		180U0003
		iSave 70, Horizontal, IEC200L, 18.5 kW	180F7025	
		iSave 70, Horizontal, NEMA324/6T, 30HP		180U0005
<b>iSave 50-70 without motor</b>				
1	1	iSave 50	180F7020	
1	1	iSave 70	180F7021	
<b>Motor</b>				
2	1	Motor 18.5 kW IEC200 6-pole 3x400 V IE3	180Z0530	
2	1	Motor 324TC 30 HP 3PH 1200 230/460/380		180U2370
5	4	Screw (not included in kit)		
6	4	Washer (not included in kit)		
<b>iSave 50 - 70 coupling kit</b>			<b>180Z4003</b>	<b>180U2309</b>
3	1	Bell housing	X	X
4	1	Coupling	X	X
22	4	Screw M12	X	X
23	4	Washer M12	X	X
24	1	Grommet sealing	X	X
<b>Base frame vertical</b>			<b>180Z4007</b>	
12	1	Base frame	X	X
13	1	Bracket, support	X	X
14	1	Bracket, service	X	X
15	10	Screw M10	X	X
16	16	Washer Ø10	X	X
17	4	Nut M10	X	X
18	8	Washer Ø17	X	X
19	4	Screw M16	X	X
20	4	Nut M16	X	X
21	2	Screw M10	X	X



**7. Assembly unit drawing**  
**iSave 50-70**  
**Horizontal mounting**



**8. Tool set  
iSave 50-70**

Qty.	Designation	180F4140 iSave 50-70 Tool kit
1	Back-up ring tool	x
2	Bushing for valve plate	x
2	M6 screw	x
2	Washer M6	x
2	Nut M6	x
2	M16 washer	x
2	M8 screw	x
1	M8 lifting eye	x
1	Shaft seal tool	x
1	24 mm crow foot socket	x
1	19 mm socket	x
1	3/8" extension	x
1	Torque wrench 3/8"	x
1	4 mm Allen key	x
2	Screw driver	x
1	10 mm HEX socket	x
1	6 mm HEX socket	x
1	Nylon hammer	x
1	10 mm fork wrench	x
1	Screw driver	x
1	16 mm socket	x
1	Service instruction	x



ENGINEERING  
TOMORROW

*Danfoss*

Danfoss A/S  
High Pressure Pumps  
Nordborgvej 81  
DK-6430 Nordborg  
Denmark

---

Danfoss can accept no responsibility for possible errors in catalogues, brochures and other printed material. Danfoss reserves the right to alter its products without notice. This also applies to products already on order provided that such alterations can be made without subsequential changes being necessary in specifications already agreed. All trademarks in this material are property of the respective companies. Danfoss and the Danfoss logotype are trademarks of Danfoss A/S. All rights reserved.

---