



The new 0252 Configuration Tool interfaces with GF SmartPro® Transmitters and blind sensors, allowing fast and easy configuration using a PC. The configuration information can be saved to a file and stored on a PC to be used later on a replacement sensor or for another sensor in a similar application.

The saved configuration file can be downloaded to the sensor or the SmartPro Transmitters in mere seconds.

The save and load features allow you to back up all of your settings and transfer them to future devices. You can also e-mail the files to share with other users of the 0252 software.

The 0252 will graph and data log sensors in real time for trend and troubleshooting analysis. Export data logs in comma-separated value (CSV) format for review and reporting in many popular spreadsheet and database applications.

Support for new sensors and products is as simple as connecting to the Internet. The software will automatically download updates from the Internet to ensure you have the latest version of the application.

The software is supported in the following languages: Chinese, English, French, German, Italian, Portuguese and Spanish.

Features

- Back up and restore SmartPro® Transmitters and blind sensors configurations to a computer file
- User-friendly interface
- Configure settings such as instrument type, units, scale 4 to 20 current loops and modify labels from the computer
- Use a single file to clone multiple SmartPro® Transmitters and blind sensors
- Red and blue LED indicators for power and data



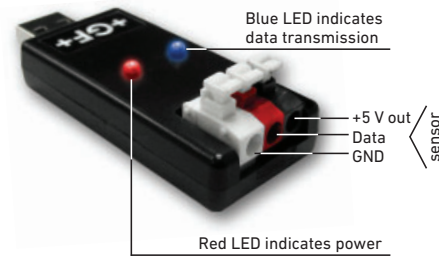
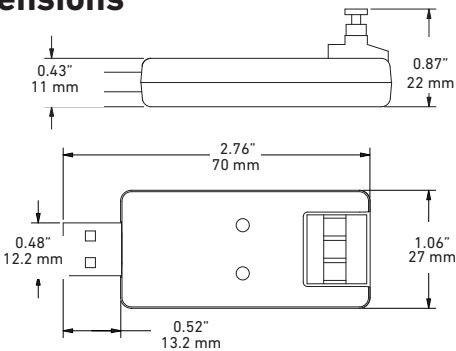
Compatibility

- 9900 Transmitter
- 2250 Level Sensor
- 2350 Temperature Sensor
- 2450 Pressure Sensor
- 2551 Magmeter Flow Sensor
- 2552 Metal Magmeter Flow Sensor
- 258X FlowtraMag® Meter
- 2610-51 Dissolved Oxygen
- 2751 pH/ORP Smart Sensor Electronics
- Windows 7 (32 and 64-bit versions)
- Windows 8 and Windows 8.1 (32 and 64-bit versions)
- Windows 10 (32 and 64-bit versions)

Specifications

General	
Materials	ABS body
Power Requirements	Supplied by USB Interface
System Requirements	Windows 7 (32 and 64 bit), Windows 8, 8.1, and Windows 10 (32 and 64 bit), free USB port, administrator account for installation, Internet access required for automatic updates.
Inputs	3-wire (S ³ L) input
Output Specifications	USB 1.0 or greater
Shipping Weight	
	0.220 kg 0.48 lb
Standards and Approvals	
	CE, FCC
	RoHS compliant, China RoHS

Dimensions



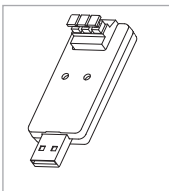
For wiring reference please see manual

System Overview

Modifiable Parameters (dependent on SmartPro Instrument type or sensor to be configured)

- Instrument type
 - Units of measure
 - Customer configurable tag (label)
 - 4 to 20 mA span
 - 4 to 20 mA error value
 - Relay and open collector modes
 - Bar graph span
 - Back light control
 - LCD contrast
 - Password
 - and other instrument and sensor specific settings
- Relay Modes (dependent on Instrument type)
 - Low set point
 - High set point
 - Window In
 - Window Out
 - PWM
 - Proportional Pulse
 - Cycle Low
 - Cycle High
 - Volumetric Pulse
 - Totalizer
 - Error
 - Includes 2 m (6 ft) USB extension cable and 1 m (3 ft) SmartPro (9900) interface cable

Ordering Information



Mfr. Part No.	Code	Description
3-0252	159 001 808	Configuration tool

Accessories and Replacement Parts

Mfr. Part No	Code	Description
6682-3004	159 001 725	Terminal block plug

3-0252.099 Rev D (06/21)

© Georg Fischer Signet LLC

5462 N. Irwindale Ave, Irwindale, CA 91706 U.S.A. • Tel. (626) 571-2770 • Fax (626) 573-2057 • www.gfps.com • e-mail: signet.ps@georgfischer.com

Specifications subject to change without notice. All rights reserved. All corporate names and trademarks stated herein are the property of their respective companies.