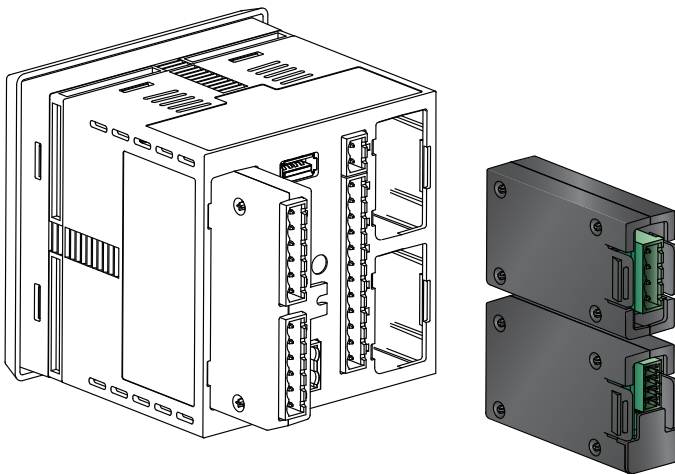




Description

The 9950 Transmitter offers the following module options. 3-9950.394-1 is a Single Channel Direct Conductivity/Resistivity Module, 3-9950.394-2 Dual Channel Direct Conductivity Module, 3-9950.395-M Modbus Module, and a 3-9950.398-2 Dual Channel 4 to 20 mA Current Loop Output Module.



The plug-in modules may be installed either before or after the base unit is installed in the customer's application.

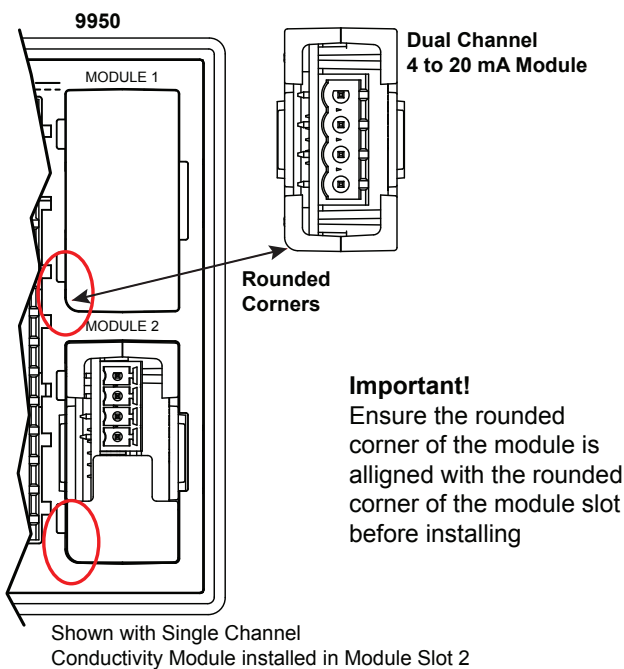
- Always disconnect power from the 9950 Before adding or Removing any modules.
- Modules can be installed in either slot.
- Refer to 9950 Manual for set up and programming.

Module Installation

1. Remove power from the 9950. Carefully align pins and connectors (do not bend connecting pins) and push module firmly into place.

Module Removal

1. Ensure power is disconnected from the 9950.
2. Unplug connectors and squeeze the two retaining tabs while pulling module out of 9950.



CAUTION:

Exercise care when installing or removing module. Do not bend connecting pins.



Avoid Electrostatic Discharge (ESD):

- Minimize handling of module to reduce the possibility of damage due to ESD.
- Handle module by the edges. Never touch any exposed circuitry or contacts.
- Wear an anti-static wristband or stand on an anti-static mat, or keep one hand touching a properly grounded pipe or other properly grounded piece of metal when handling module.

Conductivity Module Wiring

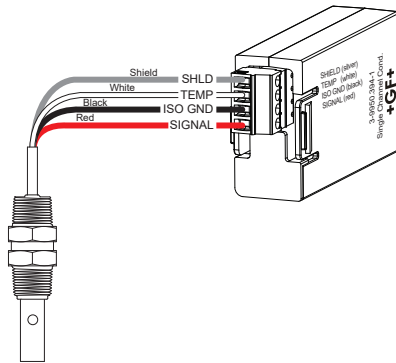
3-9950.394-1, 3-9950.394-2

Direct Conductivity Resistivity Module

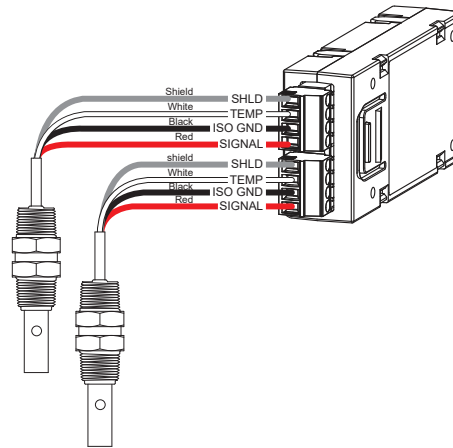
Compatible with all GF Signet Conductivity Electrodes. Maximum Conductivity cable length is 30 meters (100 feet).

For longer distances use the 3-2850 Conductivity Sensor Electronics. Up to two modules can be installed in a 9950 Transmitter.

Single Channel Conductivity Module



Dual Channel Conductivity Module

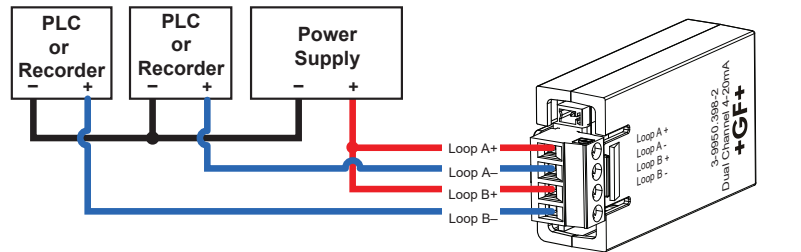


Loop Wiring

3-9950.398-2

Dual Channel 4 to 20 mA Module

Two additional 4 to 20 mA passive current loop outputs in a single module, allows up to six current loop modules in the 9950 Transmitter.

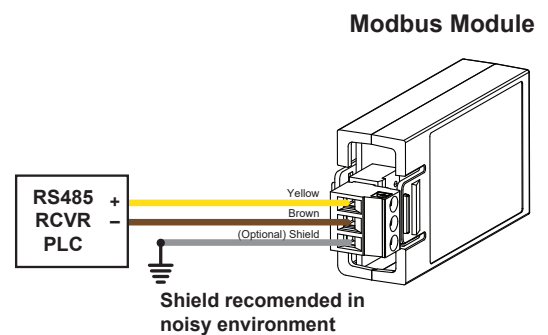


Modbus Module Wiring

3-9950.395-M

Modbus Module

Connects the 9950 to serial, RS485, Modbus automation networks.



Ordering Information

Mfr. Part No.	Code	Description
3-9950.394-1	159 001 846	Single Channel Direct Conductivity/Resistivity Module
3-9950.394-2	159 001 847	Dual Channel Direct Conductivity/Resistivity Module
3-9950.398-2	159 001 848	Dual Channel 4 to 20 mA Current Loop Output Module
3-9950.395-M	159 001 905	Modbus Module



Georg Fischer Signet LLC, 3401 Aero Jet Avenue, El Monte, CA 91731-2882 U.S.A. • Tel. (626) 571-2770 • Fax (626) 573-2057
 For Worldwide Sales and Service, visit our website: www.gfsignet.com • Or call (in the U.S.): (800) 854-4090
 For the most up-to-date information, please refer to our website at www.gfsignet.com